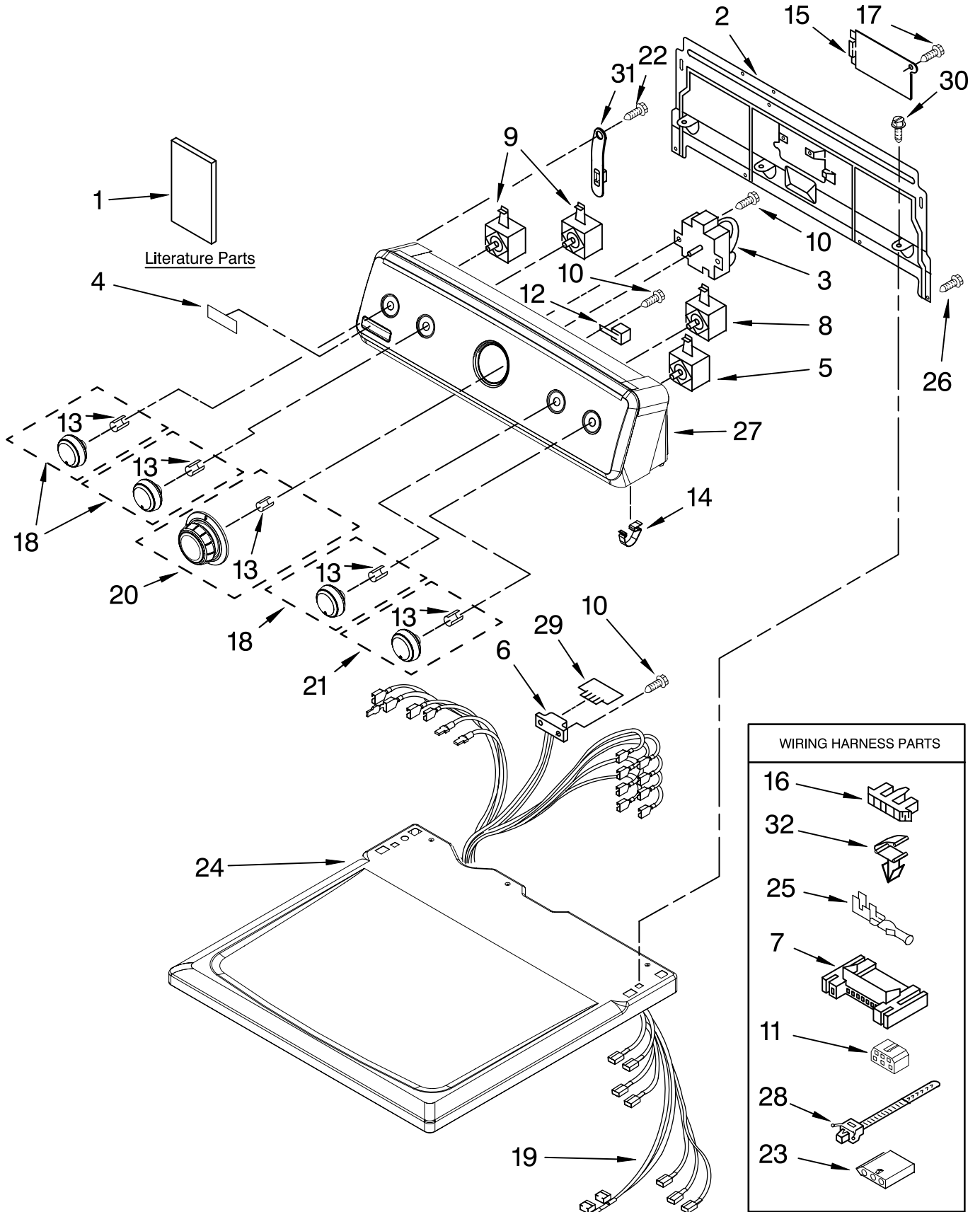


TOP AND CONSOLE PARTS

For Models: MED5801TW0
(White/Grey)

27" ELECTRIC DRYER



FOR ORDERING INFORMATION REFER TO PARTS PRICE LIST

TOP AND CONSOLE PARTS

For Models: MED5801TW0

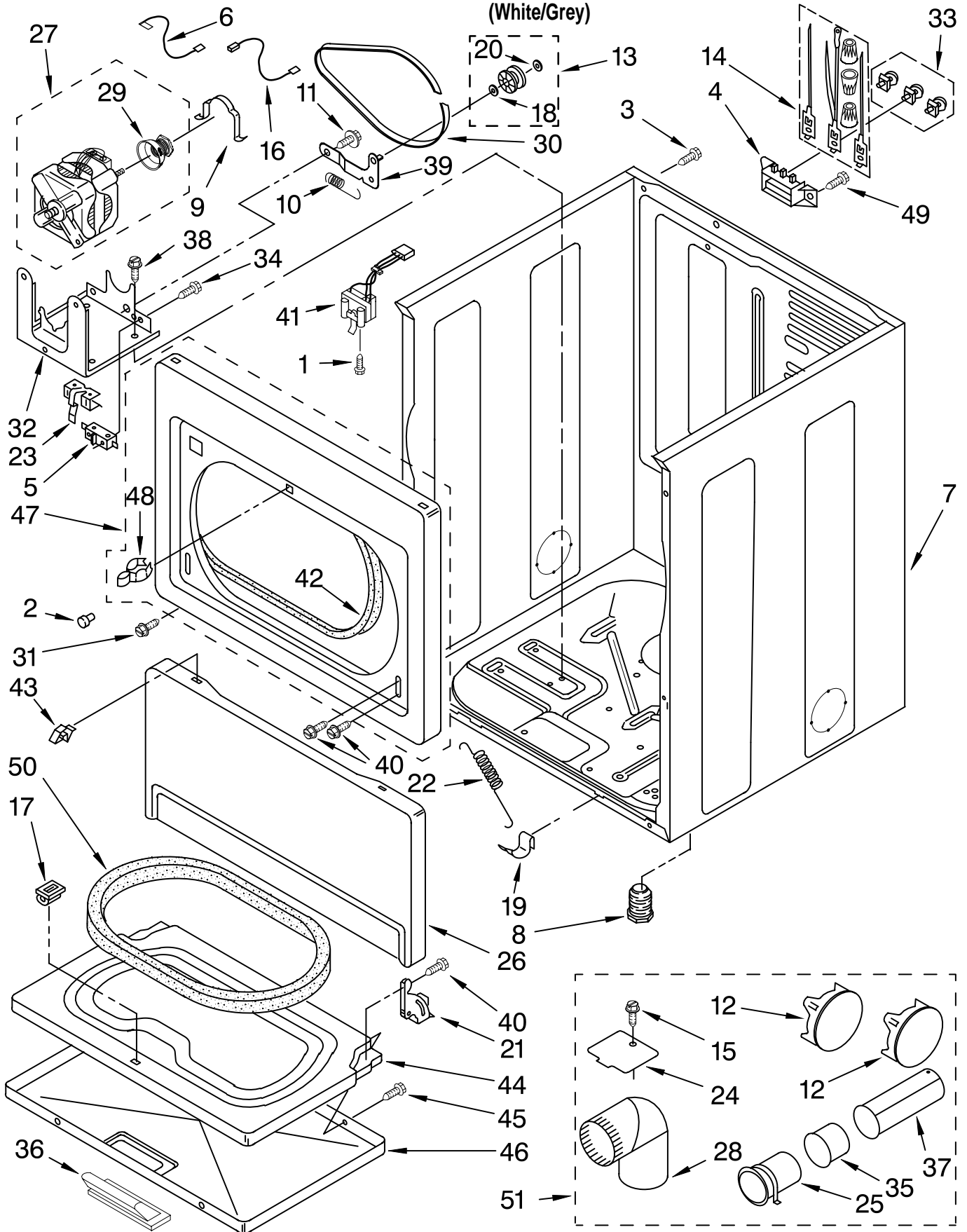
(White/Grey)

Illus. No.	Part No.	DESCRIPTION	Illus. No.	Part No.	DESCRIPTION	Illus. No.	Part No.	DESCRIPTION
1		Literature Parts	10	8533971	Screw, 8-18 x 5/16	22	90767	Screw, Ground
	W10151000	Wiring Diagram	11	3347243	Connector, 6-Circuit	23	3936144	Connector
	W10155113	Dryer Cycle Sheet	12	694419	Buzzer, Mini	24	8274462	Top
	W10155107	Guide, Use & Care	13	8536939	Clip, Spring	25	94614	Terminal
2	8317305	Panel, Rear Console	14	8312709	Clip, Console	26	693995	Screw, 8-18 x 3/8
3	8566184	Timer, 60 Hz.	15	8576583	Cover, Terminal Block	27	W10112601	Console & Control Panel Assembly (Includes Items. 4 & 14)
4	W10112569	Badge Assembly	16	3397269	Connector, Timer	28	3391018	Tie, Cable (Push-Mount)
5	3398094	Switch, Push-To-Start	17	3390814	Screw, 8-18 x 3/8	29	8558178	Control, Electronic
6	3391885	Connector, Edge	18	W10110035	Knob, Control (3)	30	3390647	Screw, 8-18 1/2
7	3395683	Connector (Motor)	19	W10150995	Harness, Electric	31	8568314	Strap, Console
8	8578354	Switch, Rotary Temperature	20	W10110036	Knob, Timer Assembly	32	3394427	Clip, Harness
9	3405156	Switch, Rotary	21	W10110037	Knob Assembly Push-To-Start			

FOR ORDERING INFORMATION REFER TO PARTS PRICE LIST

CABINET PARTS

For Models: MED5801TW0
(White/Grey)



FOR ORDERING INFORMATION REFER TO PARTS PRICE LIST

CABINET PARTS

For Models: MED5801TW0

(White/Grey)

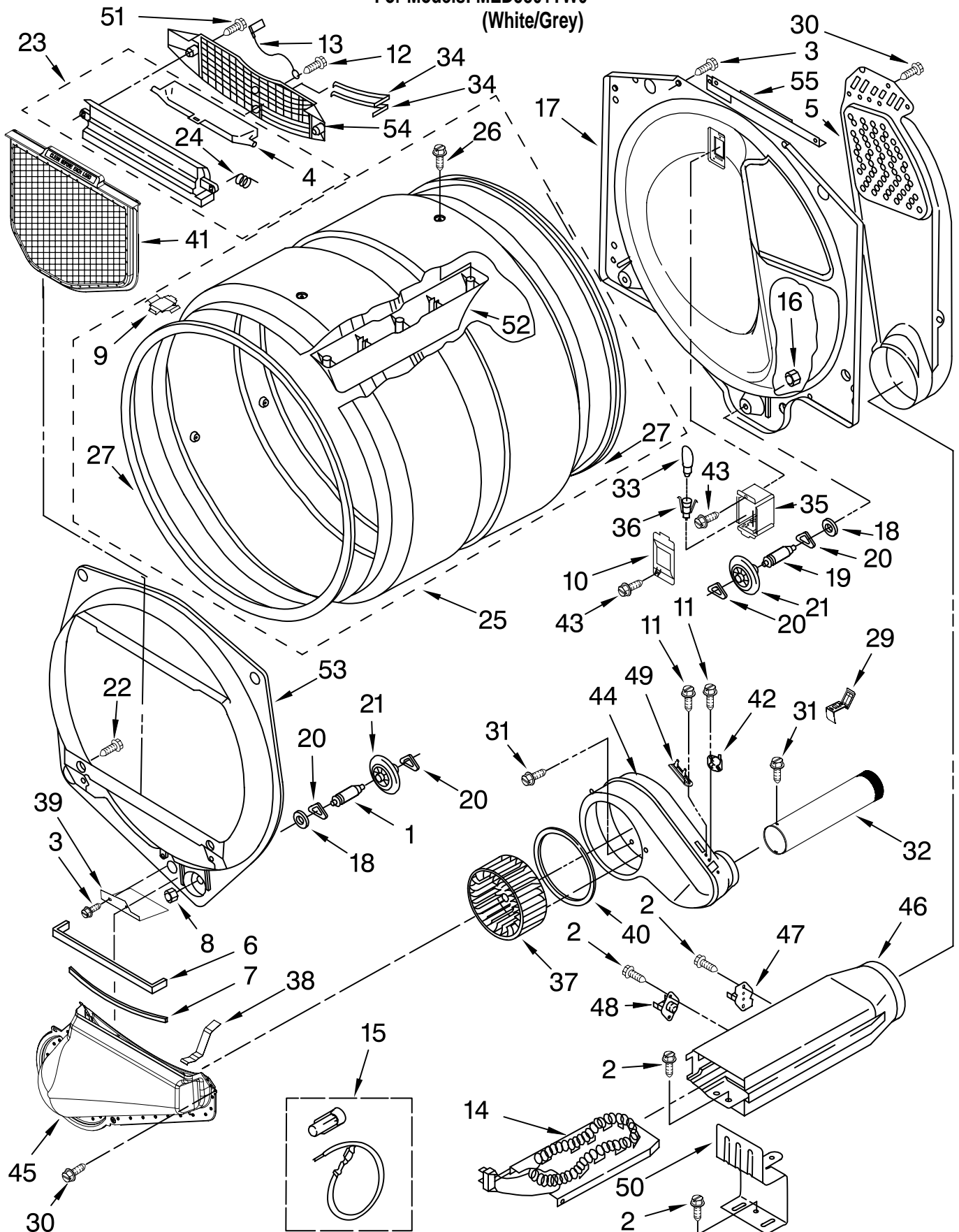
Illus. No.	Part No.	DESCRIPTION	Illus. No.	Part No.	DESCRIPTION	Illus. No.	Part No.	DESCRIPTION
1	697773	Screw, 6–20 x 7/8	19	297092	Clip (2)	36	W10116360	Handle, Door
2	693152	Bumper	20	W10121334	Washer	37	8563749	Exhaust Pipe (Long)
3	8533974	Screw, Ground	21	3387560	Hinge, Door (R.H.)	38	343641	Screw, 10–16 x 1/2
4	3397659	Block, Terminal		3387559	Hinge, Door (L.H.)	39	3388674	Idler Bracket
5	3394881	Switch, Broken Belt	22	3387565	Spring, Door (2)	40	3357011	Screw, 10–16 x 1/2
6	3398948	Wire, Jumper (Broken Belt Switch)	23	8066120	Lever, Snap Switch	41	3406107	Door Switch Assembly
7	8310656	Cabinet	24	3394331	Cover–Plate	42	3387242	Seal, Front Panel
8	3392100	Foot, Dryer	25	8563747	Exhaust Pipe & Bracket	43	3388229	Retainer
	279810	Foot – Optional (Extended Length Package Of 2) (Not Included)	26	697215	Toe Panel (Includes Item. 2)	44	697655	Door, Rear
9	660658	Clamp, Motor (2)	27	8538263	Motor, Assembly 60 HZ.	45	694091	Screw, 8–18 x 3/8
10	3387374	Spring, Idler	28	49026	4" – 90° Elbow	46	697221	Door, Front
11	3389420	Retainer, Idler	29	8578220	Pulley, Motor	47	697227	Upper Front Panel
12	697750	Plug, Multivent	30	3387610	Belt, Drive	48	696144	Strike, Door
13	3388672	Pulley Assembly	31	8281212	Screw, 8–18 x 3/8	49	3393008	Screw, 10–16 x 1/2
14	279318	Terminal, Brass & Tinned (3) (Includes Illus. 33)	32	3387118	Bracket, Motor	50	3390736	Seal, Door
15	3390646	Screw, 8–18 x 5/16	33	279393	Terminal Block Screw Kit (For Terminal Block)	Optional Parts Not Included		
16	3394081	Wire, Belt Switch	34	98129	Screw, 6–20 x 1 3/8	Dryer Exhaust Kit (For Side & Bottom Venting)		
17	690081	Catch, Door Assembly	35	8563750	Exhaust Pipe (Short)	51	279818	White
18	233520	Washer, Thrust						

FOR ORDERING INFORMATION REFER TO PARTS PRICE LIST

BULKHEAD PARTS

For Models: MED5801TW0

(White/Grey)



FOR ORDERING INFORMATION REFER TO PARTS PRICE LIST

BULKHEAD PARTS

For Models: MED5801TW0

(White/Grey)

Illus. No.	Part No.	DESCRIPTION	Illus. No.	Part No.	DESCRIPTION	Illus. No.	Part No.	DESCRIPTION
1	8575324	Shaft, R.H. Thread	19	8575325	Shaft, L.H. Thread	38	8066208	Clip, Spring
2	90767	Screw, 8-18 x 3/8	20	690997	Ring, Tri	39	W10128629	Shield, Blower Housing
3	3390647	Screw, 8-18 x 1/2	21	8536973	Roller, Support	40	697770	Seal, Cover Plate
4	3394984	Door, Lint Screen	22	695240	Screw, 8-18 x 1/2	41	8066170	Lint Screen
5	697354	Air Duct Assembly	23	3394985	Outlet Housing Assembly	42	8318268	Thermostat, Internal-Bias
6	697813	Seal, Outlet Housing	24	3394986	Spring, Lint Screen Door	43	487909	Screw, 8-15 x 1/2
7	697814	Seal, Drum Front	25	8318215	Complete Drum Assembly	44	8544362	Housing, Blower
8	3934666	Nut, 3/8 x 16(R.H.)	26	W10109200	Screw, 11-16 x 3/4	45	8066168	Lint Duct Assembly
9	8066086	Drum Hole Plug	27	697694	Seal, Drum	46	3392537	Heater Box
10	3402841	Lens, Drum Light	29	8572105	Clip, Exhaust	47	3977394	Thermal Cut-Off (Includes Illus. 48)
11	8533971	Screw, 8-18 x 5/16	30	8533971	Screw	48	3390291	Thermostat 250°F (122°C)
12	359625	Screw, 8-18 x 1/2	31	489463	Screw	49	3392519	Thermal Fuse
13	3392258	Wire	32	8066224	Exhaust Pipe	50	8066099	Bracket, Heater Box
14	3387747	Heater Element	33	3406124	Bulb, Light	51	3357011	Screw, 10-16 x 1/2
15	279457	Terminal Wire Kit (For Heater Element Wiring Harness Repair)	34	3387223	Electrode, Sensor	52	697693	Baffle, Drum
16	W10001120	Nut, 3/8-16 (L.H.)	35	3977373	Bracket, Drum Light	53	697557	Bulkhead, Front
17	8520836	Bulkhead, Rear	36	W10136369	Socket Assembly	54	8299979	Grill, Outlet
18	3387459	Washer, Support	37	697772	Wheel, Blower	55	8571651	Bracket, Bulkhead Upper Mounting

FOR ORDERING INFORMATION REFER TO PARTS PRICE LIST

OPTIONAL PARTS (NOT INCLUDED)

For Models: MED5801TW0
(White/Grey)

Illus.	Part	
No.	No.	DESCRIPTION

ACCESSORY PARTS

	80047	Kit, Dryer Repair
	8522199	Kit, Dryer Vent Testing
	3406911	Dry Rack

PAINT, TOUCH-UP (1/2oz.)

	72017	White
--	-------	-------

PAINT, PRESSURIZED SPRAY (12 oz.)

	350930	White
	350938	Primer, Gray

PAINT, BULK (1 qt.)

	799344	White (Uncut)
--	--------	---------------

FOR ORDERING INFORMATION REFER TO PARTS PRICE LIST